

# LD75



Very low depth high power LED downlight

Data sheet - Page 1

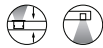
LD75 is a very low depth, triple LED downlight. It is ideal for shelf and display case applications where mounting depth is at a minimum but high output is required.

## Key Features

- 93 CRI LED in warm white
- Very low depth
- Triple LED for high output
- 1mm bezel thickness
- High efficiency optics guarantee excellent beam spread and shape, with 3 beam angles available
- Fixing is by 3 spring clips
- Range of bezel finish options
- Available with Switch, 0-10V, DMX, Dali or Mains dimmable drivers

## Specification

Applications



Beam Angles

18°, 25°, 36°

LED type

3 x Cree XPG2

Colour temperature

2700K\*\* / 3000K

5000K

Drive Current (mA)

350

500

350

500

LED power\* (W)

3.6

5.1

3.6

5.1

CRI (typical)

93

93

75

75

Forward voltage (V)<sub>100</sub>

9.0V

9.6V

9.0V

9.6V

Delivered lumens\*\* (L<sub>100</sub>)

261

356

317

433

Lumens per circuit watt

73

70

88

85

LED lifetime (to 70% lumen maintenance)

50,000hrs at a max ambient temperature of 45°C

Materials

Anodised aluminium body

Wiring

Comes pre-wired with 2 core 100mm lead, can be specified with up to 10m at extra cost

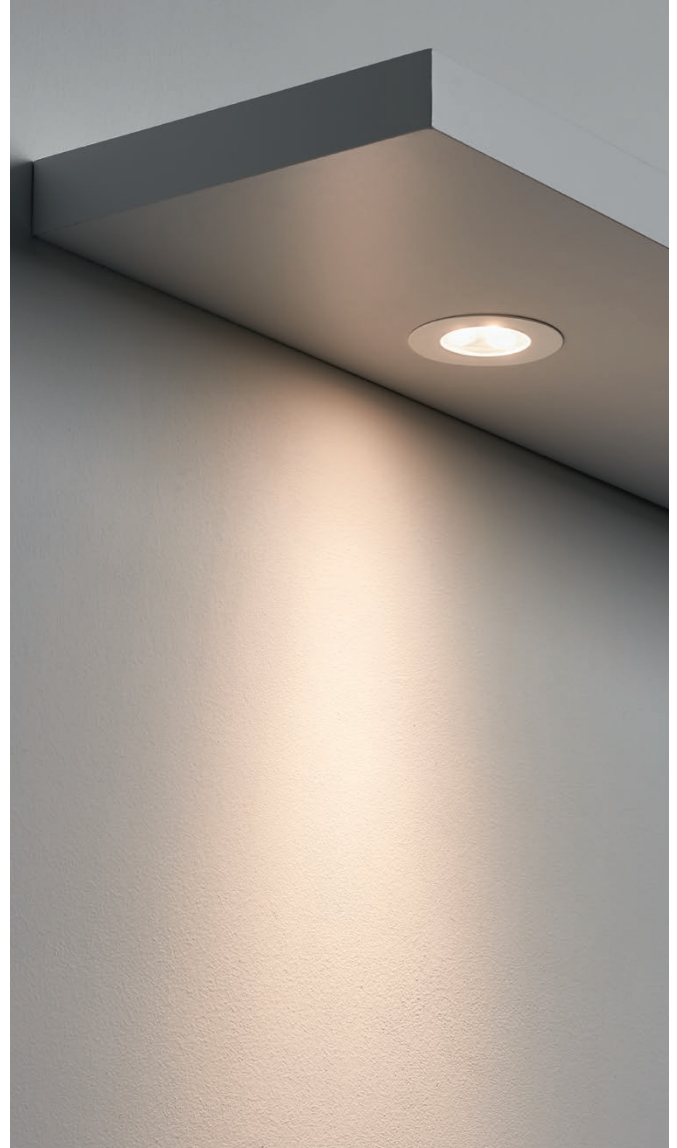
IP rating

IP40

\*LED wattage includes losses associated with using an 85% efficient driver

\*\* 2700K lumen output is 12% lower than the 3000K figure listed

4000K lumen output is 14% higher than the 3000K figure listed (80 CRI)



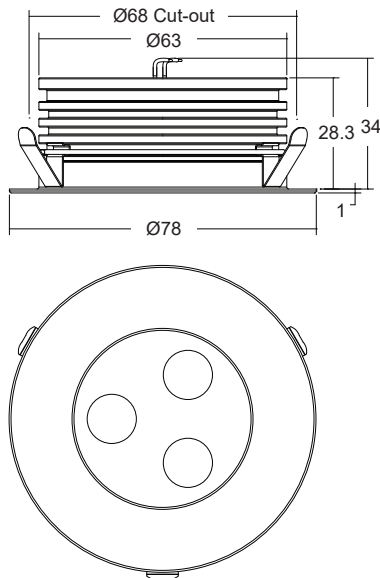
# LD75



Very low depth high power LED downlight

Data sheet - Page 2

## Dimensions



## Photometrics

Photometric files are included in the design pack which can be downloaded from the LD75 product page on the website.

## Order Codes and Options

Product code	LED colour	Lens angle	Finish
LD75 - 350 - 500			

Example: LD75-350 / LW30 / MB / White

### Product codes with output options

350mA 3.5W	LD75-350
500mA 5.1W	LD75-500

### LED colour options

LED colour options	Suffix
Extra Warm White (2700K)	/LW27
Warm White (3000K)	/LW30
White (4000K) - on request	/LW40
Cool White (5000K)	/LW50
Blue	/LB
Green	/LG
Red	/LR
Amber	/LA

### Beam / lens angle options

18° narrow spot	/NB
25° medium	/MB
36° wide	/WB

### Bezel

Paint finish silver / black / white RAL codes

### Use with 350mA and 500mA constant current LED drivers

We have a wide range of dimmable LED drivers, 0-10V, DMX, DALI and Mains dimmable. Please see the downloads section on our website:

To run 1 - 4 LD75-350 in series use a TXDEL350D (0-10V dimmable)  
 To run 1 - 4 LD75-500 in series use a TXDEL500D (0-10V dimmable)